

**PRODUCT TECHNICAL SHEET**

Collection :	Times	Ref. :	<b>4074.--.26</b>
--------------	-------	--------	-------------------

Mitigeur de cuisine 3 trous, grand bec mobile 250 mm, mousseur extractible, 1 jet

3-gats ééngreeps keukenmengkraan, grote draaibare uitloop 250mm en uittrekbare perlator, 1 straal

3-hole single-lever kitchen mixer, great swivel spout 250mm, pull-out mousseur, 1 spray

**Picture**

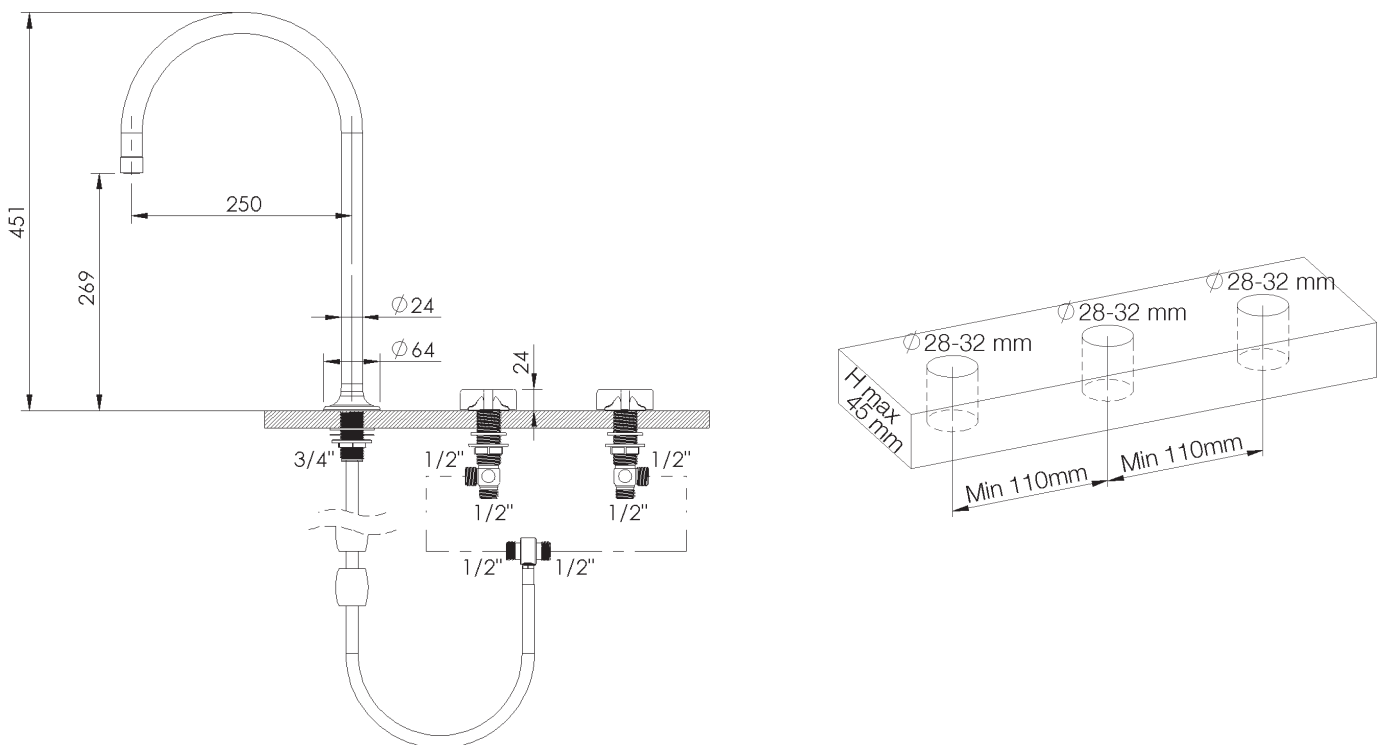
**Product details**



Internal mechanism : Ceramic valve 1/4 turn

Note : Provide room for counterweight

**Technical drawing**



RA0.V02